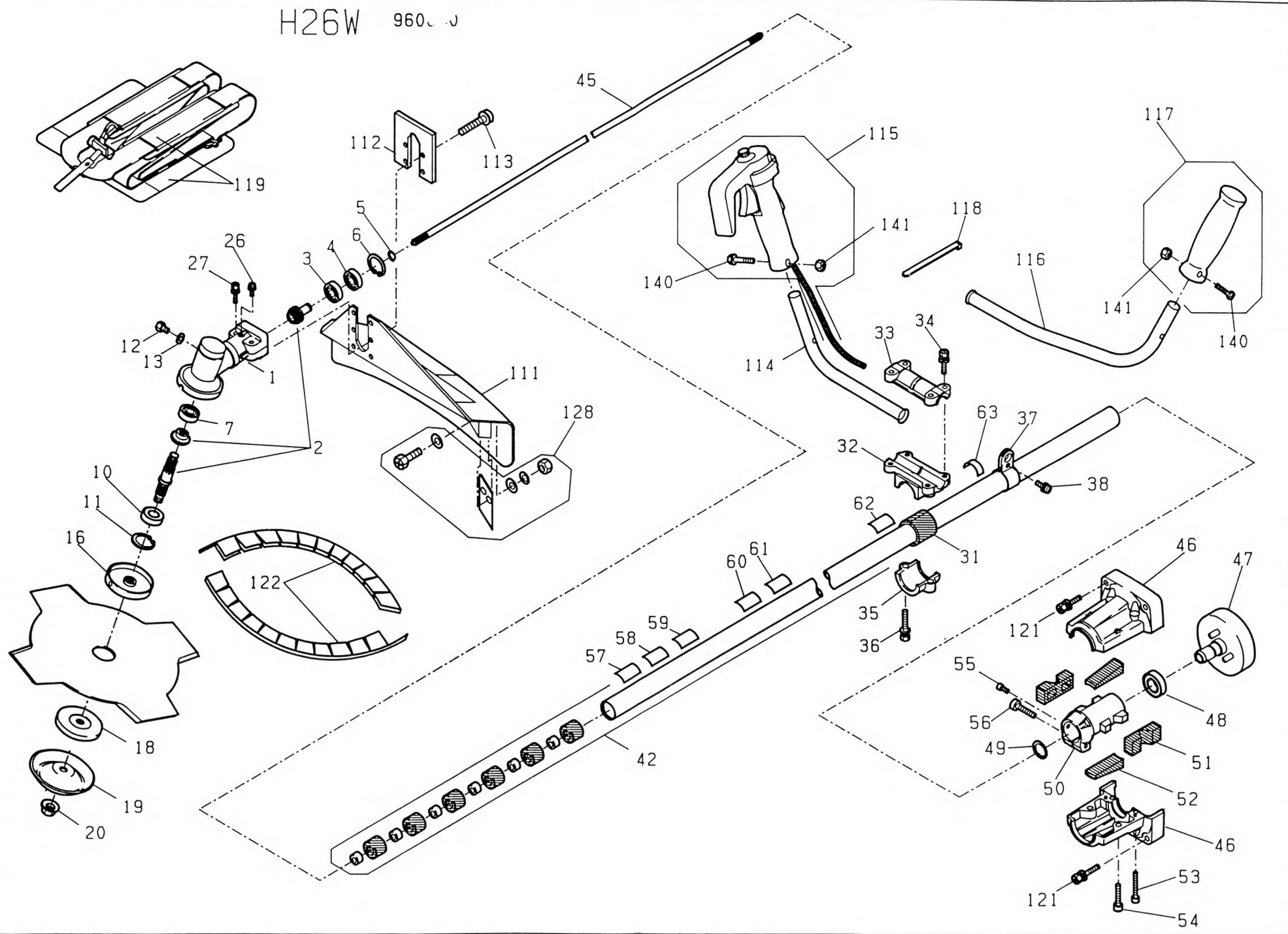


ESPLOSO ASTE H26

H26W 960...



H26W PARTS LIST 1/2

RE F.	CODE NO.	NAME	QTY
1 - 2 7	166 - 693 - 9	GEAR CASE ASS' Y	1
1	165 - 623 - 5	GEAR CASE	1
2	166 - 712 - 0	GEAR ASS'Y (pignone, ingranaggio, albero)	1
	222 - 031 - 0	SHAFT (albero)	1
3	004 - 502 - 0	PINION BEARING	1
4	004 - 550 - 0	PINION BEARING	1
5	008 - 201 - 0	STOP RING	1
6	008 - 316 - 0	STOP RING	1
7	004 - 502 - 0	GEAR BEARING	1
10	004 - 701 - 0	SHAFT BEARING	1
11	008 - 317 - 0	STOP RING	1
12	001 - 100 - 0	OIL HOLE BOLT (M8 X 10)	1
13	166 - 475 - 4	OIL HOLE PACKING	1
16	166 - 691 - 7	HOLDERCUTTER	1
18	166 - 691 - 8	CAP CUTTER	1
19	165 - 095 - 7	STABILIZER	1
20	166 - 691 - 9	BLADE NUT W/WASHER M10 (L)	1
26	002 - 421 - 0	SCREW (M5 X 14)	1
27	001 - 812 - 0	BOLT (M6 X 35)	1
31	203 - 107 - 0	HANDLE DAMPER A e B	1
32	166 - 543 - 1	HANDLE HOLDER A interasse viti mm. 66	1
32	801-689-443	HANDLE HOLDER B interasse viti mm. 60	1
33	166 - 542 - 9	HANDLE HOLDER A interasse viti mm. 66	1
33	801-689-441	HANDLE HOLDER B interasse viti mm. 60	1
34	001 - 812 - 0	BOLT (M6 X 30) A	4
34	800-200-038	BOLT (M6 X 30) B	4
35	166 - 543 - 3	HANDLE HOLDER A	1
35	801-675-715	HANDLE HOLDER B	1
36	001 - 812 - 0	BOLT (M6 X 30) A	2
36	800-200-039	BOLT (M6 X 30) B	2
37	201 - 107 - 0	HANGER STRAP STEM	1
38	002 - 442 - 0	SCREW	1
42	166 - 712 - 5	DRIVE SHAFT HOUSING ASS'Y	1
45	166 - 694 - 2	DRIVE SHAFT	1
46 → 56	166 - 711 - 3	CLUTCH HOUSING ASS' Y	1
46	166 - 710 - 8	CLUTCH HOUSING	1
47	203 - 100 - 0	CLUTCH DRUM	1
48	004 - 601 - 0	CLUTCH BEARING	1
49	008 - 061 - 0	STOP RING	1
50	166 - 710 - 9	CLUTCH HOUSING CORE	1
51	165 - 213 - 2	HOUSING DAMPER	2
52	165 - 225 - 8	HOUSING DAMPER	2

H26W PARTS PRICE LIST 2/2

REF.	CODE NO.	NAME	QTY
53	165 - 214 - 2	HEX. SOCKET HEAD BOLTM 5X30	2
54	165 - 214 - 1	HEX. SOCKET HEAD BOLTM 6X25	2
55	001 - 718 - 0	BOLT (M5 X 12)	1
56	001 - 812 - 0	BOLT (M6 X 30)	1
57	165 - 577 - 0	LABEL	1
58	333 - 301 - 5	LABEL	1
59	165 - 576 - 5	LABEL	1
60	165 - 576 - 8	LABEL	1
61	165 - 576 - 9	LABEL	1
63	165 - 577 - 2	LABEL	3
111	166 - 711 - 7	1656239 SAFETY GUARD	1
112	166 - 637 - 8	SAFETY GUARD HOLDER	1
113	002 - 826 - 0	SCREW (M5 X 16)	4
114	166 - 579 - 1	HANDLE	1
115	165 - 582 - 0	THROTTLE LEVER ASS' Y (W)	1
116	166 - 578 - 9	HANDLE	1
17	165 - 582 - 5	HANDLE GRIP ASS' Y	1
118	008 - 036 - 0	BAND	2
119	166 - 718 - 7	HARNESS ASS' Y	1
121	001 - 812 - 0	BOLT (M6X30)	4
122	166 - 695 - 3	PROTECTOR	2
123	165 - 410 - 4	WRENCH	1
124	165 - 410 - 3	SPANNER (10 X 8)	1
128	166 - 588 - 0	BLADE ASS' Y	1
140	165 - 517 - 5	SCREW (M5 X 30)	2
141	003 - 008 - 0	NUT (M5)	2
	8810139	CABLE, THROTTLE (TL43 TL50 TL52)	1
	166 - 958 - 9	CABLE, THROTTLE (GX22 / 31)	1
	003 - 022 - 8	NUT (GX22 / 31)	2
	166 - 959 - 3	CAP (GX22 / 31)	1
	166 - 871 - 2	WIRE, LEAD (GX22 / 31)	1
	002 - 021 - 5	SCREW (GX22 / 3 1)	1
	166 - 959 - 0	CASE, JOINT (GX22 / 31)	1
	166 - 959 - 4	INSTRUCTION MANUAL (GX)	1
	166 - 959 - 2	DRIVER, TOOL (GX22 / 31)	1
	166 - 959 - 1	SOCKET, WRENCH (GX22 / 31)	1